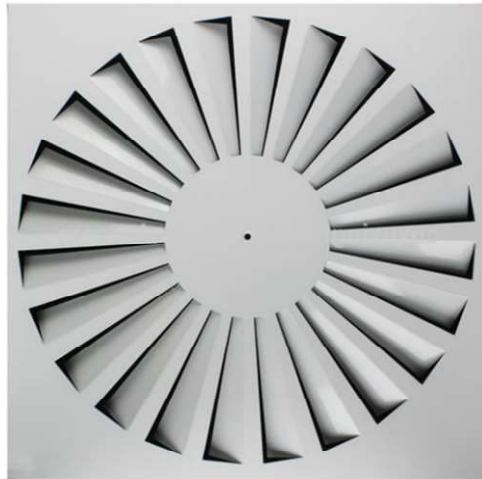


# SWIRL DIFFUSER

**Model : DD-SWD - Fixed Blades**



## Description

- DD-SWD fixed swirl diffuser can be used for supply air applications.
- Completely in galvanised steel sheet, powder-coated white RAL9010, 9016.
- Simple and pleasant appearance.

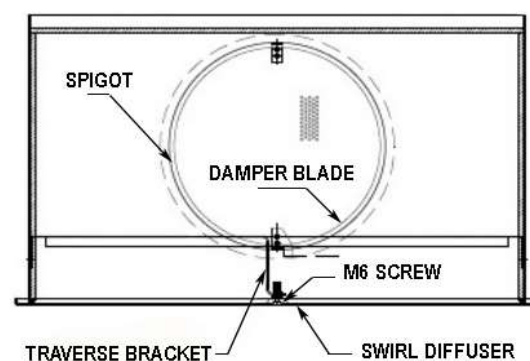
## Plenum (solds separately)

- Plenum box to suit swirl diffusers has a central bar running through the span of box, with a M6 nutsert located centrally.

- Swirl diffuser is fitted to the box using a cross headed bolt (supplied) which is inserted through the fixing hole in the centre of diffuser, and into the nutsert.

- By tightening the bolt, DD-SWD is pulled up until it sits on the box flanges.

## DD-SWD PLENUM



# SWIRL DIFFUSER

**Model : DD-SWD - Fixed 24 Blades**

**Selection Table**

NOMINAL SIZE	FACE SIZE	Air Flow (m <sup>3</sup> /h)	Pressure Drop (Pa)	Sound Power Level SPL in dB
400 x 24 D350	395 x 395	430	100	53
		370	70	48
		280	40	42
		230	30	37
		200	20	32.5
		145	10	24
500 x 24 D350	495 x 495	450	100	55
		375	70	48
		285	40	42
		245	30	37
		210	20	33
		150	10	25
600 x 24 (*) D535	595 x 595	770	100	57
		650	70	48
		500	42	42.5
		400	27	35
		350	20	31.5
		300	16	27

**Note (\*)**

- 600 x 24: Nominal Size x Number of Blades.
- D535: core diameter (mm).
- 595 x 595: overall size.

# SWIRL DIFFUSER

**Model : DD-SWD - Fixed 30 Blades**

**Selection Table**

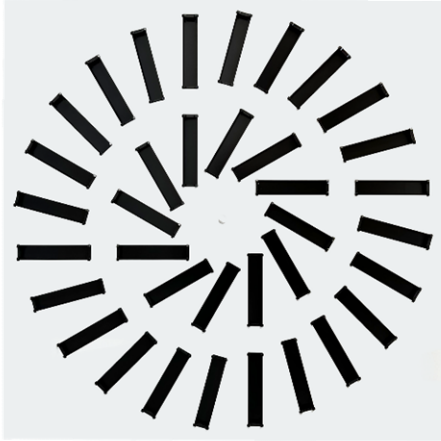
NOMINAL SIZE	FACE SIZE	Air Flow (m <sup>3</sup> /h)	Pressure Drop (Pa)	Sound Power Level SPL in dB
<b>500 x 30</b> <b>D457</b>	<b>495 x 495</b>	490	100	54
		410	70	47
		310	40	40
		270	30	35
		230	20	30
		162	10	23
<b>600 x 30</b> <b>D457</b>	<b>495 x 495</b>	520	100	54
		435	70	46.5
		330	40	41
		285	30	36
		240	20	31
		170	10	24
<b>600 x 36 (*)</b> <b>D535</b>	<b>595 x 595</b>	900	100	58
		760	70	49
		590	42	44
		475	27	36.5
		410	20	33
		350	16	28

**Note (\*)**

- 600 x 36: Nominal Size x Number of Blades.
- D535: core diameter (mm).
- 595 x 595: overall size.

# SWIRL DIFFUSER

Model : DD-SWD - Adjustable Blades



SWD 36 Blades



SWD 24 Blades

## Description

- DD-SWD adjustable swirl diffuser can be used for supply air applications.
- Completely in galvanised steel sheet, powder-coated white RAL9010, 9016.
- Simple and pleasant appearance.
- Air mixture over a very short distance is blown into the room in a spiral. It has been equipped with adjustable slots to allow adjustment of the airflow.

## Plenum (solds separately)

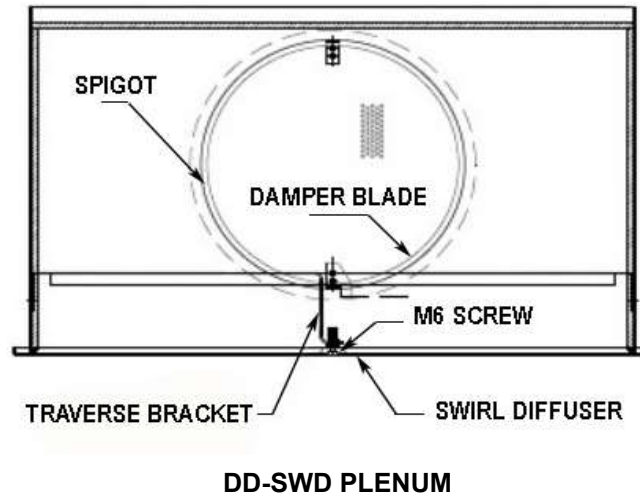
- Plenum box to suit swirl diffusers has a central bar running through the span of box, with a nutsert located centrally.
- Swirl diffuser is fitted to the box using a cross headed bolt (supplied) which is inserted through the fixing hole in the centre of diffuser, and into the M6 nutsert.
- By tightening the bolt, DD-SWD is pulled up until it sits on the box flanges.

## Note

- Sound power level is  $SPL \leq 40$  dB with airflow  $< 500$  m<sup>3</sup>/hr.
- Pressure drop  $P \leq 40$ Pa with airflow  $< 500$  m<sup>3</sup>/hr.
- Ceiling height from 2.7 to 3.2 m.

# SWIRL DIFFUSER

Model : DD-SWD - Adjustable Blades



**Selection Table**

NOMINAL SIZE	FACE SIZE	Air Flow (m <sup>3</sup> /h)	Pressure Drop (Pa)	Sound Power Level SPL in dB
<b>600 x 36 D560</b>	<b>595 X 595</b>	710	100	55.5
		630	70	47
		490	42	41
		390	27	34
		345	20	31
		290	16	26.4
<b>600 x 24 D540</b>	<b>595 X 595</b>	770	100	57
		650	70	48
		500	42	42.5
		400	27	35
		350	20	31.5
		300	16	27